



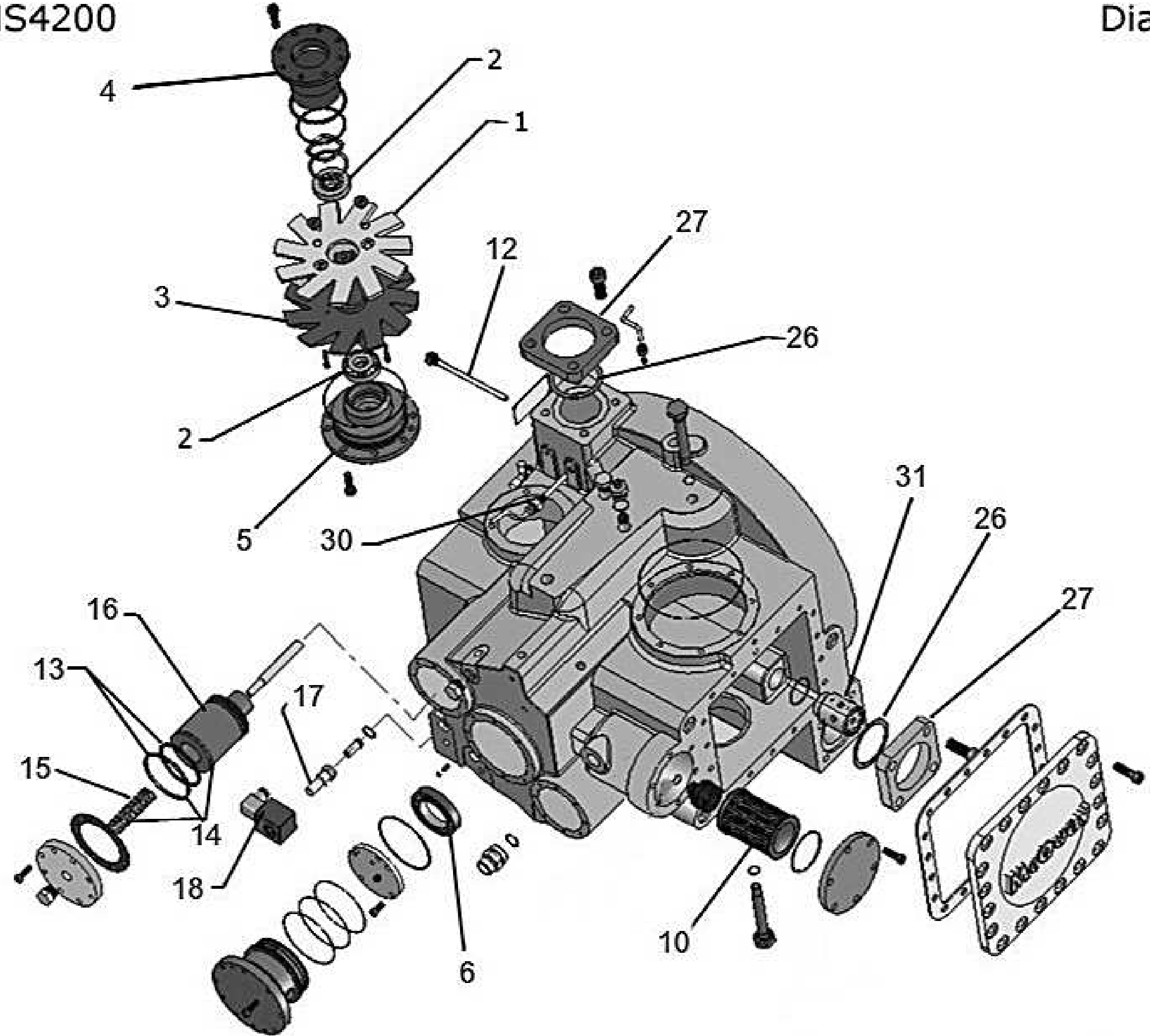
HallScrew Replacement Parts List

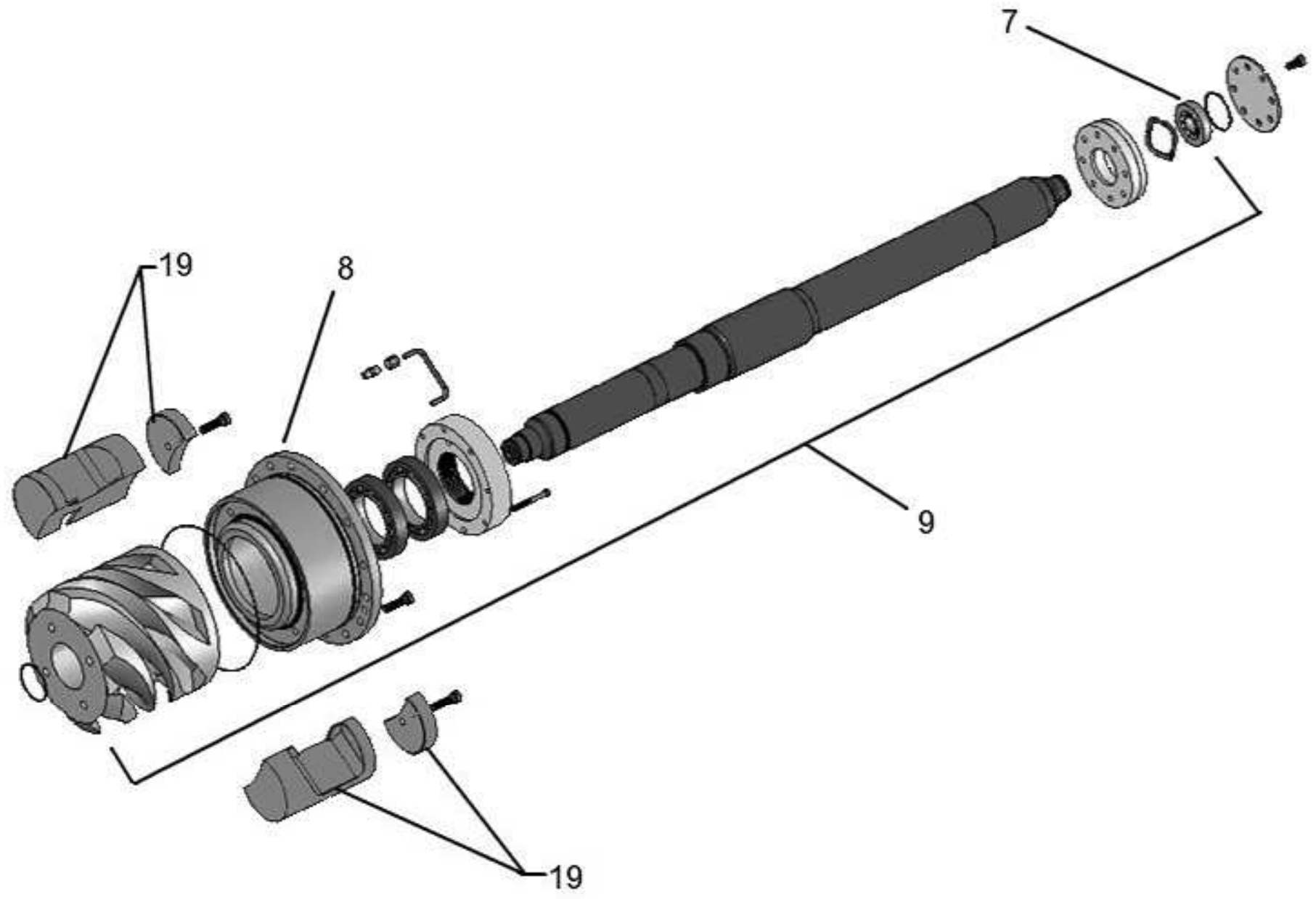
HSS, HSM/L & HSO 4200

Open drive & semi hermetic single screw compressors

August 2011

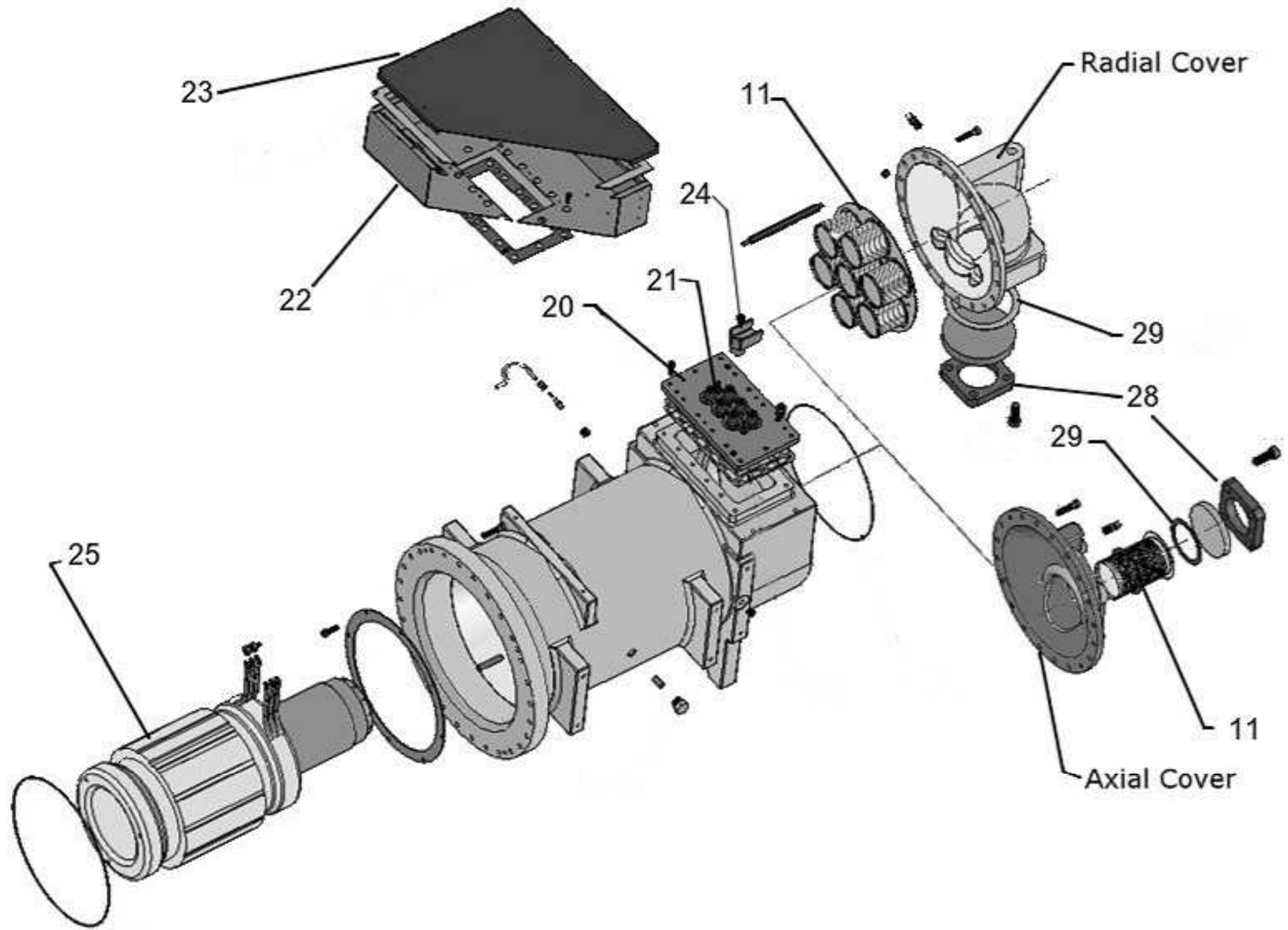






HS4200

Diagram 3



HS4200 Issue 10 (H) Page 4 HS4200 Spare Parts List Open & Semi-Hermetic Compressors					Quantity for each compressor							
					Open				Semi-Hermetic			
Item	Diagram	Description	Part Number	Old Part Number	4221	4222	4223	4224	4221	4222	4223	4224
		Stars										
1	1	Hallplas Star Kit (Supplied as 1 pair of stars)	N02280007	95813-401	1				1			
1	1	Hallplas Star Kit (Supplied as 1 pair of stars)	N02280008	95814-401		1				1		
1	1	Hallplas Star Kit (Supplied as 1 pair of stars)	N02280009	95815-401			1				1	
1	1	Hallplas Star Kit (Supplied as 1 pair of stars)	N02280028	95812-401				1				1
2	1	Star Bearing Kit (Top and Bottom Bearings)	N02050049	95813-404	1	1	1	1	1	1	1	1
3	1	Star Shaft Rotor & Backing	N02840013	-	2				2			
3	1	Star Shaft Rotor & Backing	N02840012	-		2				2		
3	1	Star Shaft Rotor & Backing	N02840011	-			2	2			2	2
4	1	Star Bearing Housing - Small*	N02500022	-	2	2	2	2	2	2	2	2
5	1	Star Bearing Housing - Large*	N02500021	-	2	2	2	2	2	2	2	2
		<i>*Small housing goes on the top on one side but the bottom on the other (the same goes for the large ones as well)</i>										
		Main Rotor & Shaft Assy										
N/S	N/S	Gland Seal Assy (does not include Gaskets and O-ring)	N02020040	95813-402	1	1	1	1	N/A			
N/S	N/S	Gland Seal Cover Plate	N02420003	86343-117	1	1	1	1				
N/S	N/S	Gland Seal Housing	N02420004	86356-121	1	1	1	1				
6	1	Rear End Bearing	N02050159	-	1	1	1	1	1	1	1	1
7	2	Motor Side Bearing	N02050160	-					1	1	1	1
		<i>NB The main bearings that fit on the rotor and shaft assembly are not available seperatley as they are factory fitted only</i>										
8	2	Bearing Housing	N02500020	-	1	1	1		1	1	1	
8	2	Bearing Housing	N02500019	-				1				1
9	2	Rotor, Shaft and Bearing Housing Assy (Also includes the main bearings)	N02240040	-	1				N/A#			
9	2	Rotor, Shaft and Bearing Housing Assy (Also includes the main bearings)	N02240039	-		1						
9	2	Rotor, Shaft and Bearing Housing Assy (Also includes the main bearings)	N02240038	-			1					
9	2	Rotor, Shaft and Bearing Housing Assy (Also includes the main bearings)	N02240041	-				1				
		<i>#On the semi's you will need to order a new compressor as the stator rotor will also have to be changed (therefore nearly all of the compressor would have to be changed)</i>										
		Filters										
10	1	Internal Oil Filter Element (does not include Gaskets and O-rings)	N02370008	95816-401	1	1	1	1	1	1	1	1
11	3	Refrigerant Suction Filter (axial suction)	N12010018	-	1	1	1	1	1	1	1	1
11	3	Refrigerant Suction Filter (radial suction)	N02490009	132004007	1	1	1	1	1	1	1	1

HS4200 Spare Parts List
Open & Semi-Hermetic Compressors

Quantity for each compressor

Item	Diagram	Description	Part Number	Old Part Number	Open				Semi-Hermetic			
					4221	4222	4223	4224	4221	4222	4223	4224
Heaters												
12	1	Compressor Oil Heater 110V 400W (direct immersion)	N19030041	2858-642	1	1	1	1	1	1	1	1
12	1	Compressor Oil Heater 220V 400W (direct immersion)	N19030042	2858-643	1	1	1	1	1	1	1	1
N/S	N/S	Integral Oil Separator Heater Kit 110V 250W (incs Pocket)	N19030028	-	N/A				1	1	1	1
N/S	N/S	Integral Oil Separator Heater kit 220V 250W (incs Pocket)	N19030027	-					1	1	1	1
N/S	N/S	Integral Oil Separator Heater Pocket	N13390001	-					1	1	1	1
Capacity Control												
13	1	Piston Ring (Glyd Ring) Set	N02630005	95814-405	2	2	2	2	2	2	2	2
15	1	Capacity Control Piston Spring	N02630047	-	2	2	2	2	2	2	2	2
16	1	Capacity Control Piston	N02630044	-	2	2	2	2	2	2	2	2
Solenoid Valves 115v 50/60Hz												
17	1	Capacity Control Solenoid Valve Kit (Asco) (kit includes 2 valves & 2 coils)	N30010038	95823-415	1	1	1	1	1	1	1	1
17	1	Capacity Control Solenoid Valve Kit (Sporlan) (kit includes 2 valves & 2 coils)	N30010041	95823-417	1	1	1	1	1	1	1	1
18	1	Capacity Control Solenoid Valve Coil (Asco)	N30020034	-	2	2	2	2	2	2	2	2
18	1	Capacity Control Solenoid Valve Coil (Sporlan)	N30020039	-	2	2	2	2	2	2	2	2
Solenoid Valves 230v 50/60Hz												
17	1	Capacity Control Solenoid Valve Kit (Asco) (kit includes 2 valves & 2 coils)	N30010039	95823-416	1	1	1	1	1	1	1	1
17	1	Capacity Control Solenoid Valve Kit (Sporlan) (kit includes 2 valves & 2 coils)	N30010042	95823-418	1	1	1	1	1	1	1	1
18	1	Capacity Control Solenoid Valve Coil (Asco)	N30020047	-	2	2	2	2	2	2	2	2
18	1	Capacity Control Solenoid Valve Coil (Sporlan)	N30020045	-	2	2	2	2	2	2	2	2
Solenoid Valves 24V												
17	1	Capacity Control Solenoid Valve Kit (Sporlan) (kit includes 2 valves & 2 coils)	N30010106	95823-420	1	1	1	1	1	1	1	1
18	1	Capacity Control Solenoid Valve Coil (Sporlan)	N30020046	-	2	2	2	2	2	2	2	2
Capacity Control Slides												
19	2	Capacity Control Slides 2.2VR (supplied as a pair)	N02860008	95823-403	1				1			
19	2	Capacity Control Slides 3.0VR (supplied as a pair)	N02860009	95823-404	1				1			
19	2	Capacity Control Slides 4.9VR (supplied as a pair)	N02860011	95823-406	1				1			
19	2	Capacity Control Slides 2.2VR (supplied as a pair)	N02860012	95823-407		1	1			1	1	
19	2	Capacity Control Slides 3.0VR (supplied as a pair)	N02860013	95823-408		1	1			1	1	
19	2	Capacity Control Slides 4.9VR (supplied as a pair)	N02860015	95823-410		1				1		

HS4200 Issue 10 (H) Page 9 HS4200 Spare Parts List Open & Semi-Hermetic Compressors					Quantity for each compressor							
					Open				Semi-Hermetic			
Item	Diagram	Description	Part Number	Old Part Number	4221	4222	4223	4224	4221	4222	4223	4224
		Capacity Control Slides cont...										
19	2	Capacity Control Slides 4.9VR (supplied as a pair)	N02860017	95823-412			1				1	
19	2	Capacity Control Slides 3.0VR (supplied as a pair)	N02860120	95823-413				1				1
N/S	N/S	Capacity Control Slide Stops	N02860126	-	2	2	2		2	2	2	
N/S	N/S	Capacity Control Slide Stops	N02860125	-				2				2
		Capacity Indicators										
N/S	N/S	Capacity Indicator from Feb 08 (MSILVDT) (not self setable)	N05390007	-	1	1	1	1	1	1	1	1
N/S	N/S	Capacity Indicator from Feb 08 (MSILVDT) (self setable)	N05390014	-	1	1	1	1	1	1	1	1
		<i>The MSI LVDT is a direct 'drop-in' replacement for the now obsolete HBLVDT fitted, which was fitted on compressors built before Feb 2008</i>										
		Oil Tubes										
N/S	N/S	Bearing Oil supply Tube Kit	N02210016	95822-412	1	1	1	1				
N/S	N/S	Bearing Oil supply Tube Kit	N02210015	95822-411					1	1	1	1
		Motor Terminals										
20	3	Terminal Plate Assy (Not USA)	N02470010	95812-423	N/A				1	1	1	1
21	3	Motor Terminals (USA Only)	N02480006	95812-424					6	6	6	6
22	3	Terminal Box	N02580006	-					1	1	1	1
23	3	Terminal Box Lid	N02580005	-					1	1	1	1
24	3	Motor Terminal Plastic Insulators	N13060020	-					6	6	6	6
N/S	N/S	10.5mm Washers	N13540036	-					8	8	8	8
N/S	N/S	M10 x 16 Screws	N13460108	-					6	6	6	6
N/S	N/S	Ground Screw and Nut (for Earth)	N13460019	-					1	1	1	1
N/S	N/S	Motor protection INT69 TM 115V 50/60Hz	N05140010	-					1	1	1	1
N/S	N/S	Motor protection INT69 TM 230V 50/60Hz	N05140011	-					1	1	1	1
N/S	N/S	Motor protection INT69 TM 24VAC	N05140035	-					1	1	1	1
N/S	N/S	Motor protection INT69 TM 24VDC	N05140036	-					1	1	1	1
N/S	N/S	DOL Bridge Bars Kit (optional)	N09360001	-					1	1	1	1
		Stators										
25	3	*Stator 400V 50Hz 145kW - 460V 60Hz 174kW	N02330008	95813-410	N/A				1	1	1	1
25	3	*Stator 500V 50Hz 145kW - 575V 60Hz 174kW	N02330009	95813-411					1	1	1	1
25	3	*Stator 230V 60Hz 174kW	N02330010	95813-412					1	1	1	1
25	3	*Stator 208V 60Hz 174kW	N02330011	95813-413					1	1	1	1

HS4200 Issue 10 (H) Page 7 HS4200 Spare Parts List Open & Semi-Hermetic Compressors					Quantity for each compressor								
					Open				Semi-Hermetic				
					Item	Diagram	Description	Part Number	Old Part Number	4221	4222	4223	4224
Stators cont...													
25	3	*Stator 380V 60Hz 174kW	N02330012	95813-414	N/A				1	1	1	1	
		*Stator 400V 50Hz 188kW	N02330041	-	N/A				1	1	1	1	
*Replacement staors need to be shrunk fit into the exsiting motor housing - if this cannot be done on site you may need to order full assy (POA)													
Valves													
N/S	N/S	Discharge Shut Off Valve (open/HSL/HSM compressors)	N30150131	-	2	2	2	2	2	2	2	2	
N/S	N/S	Discharge Shut Off Valve (only compressors with oil sep)	N30150067	-	N/A				1	1	1	1	
26	1	Discharge Shut Off Valve Gasket	N33070010	-	1	1	1	1	1 (or 2)	1 (or 2)	1 (or 2)	1 (or 2)	
N/S	N/S	2-1/2" Discharge Tail	N13050071	84344-310	2	2	2	2	2	2	2	2	
27	1	2-1/2" Discharge Flange	N13500043	-	2	2	2	2	2	2	2	2	
N/S	N/S	Suction Shut-Off Valve 4" (optional)	N30150073	-	1	1	1	1	1	1	1	1	
N/S	N/S	4" NB Suction Tail for 4.1/8" OD Pipe (optional)	N13050072	84344-311	1	1	1	1	1	1	1	1	
28	3	4" NB Suction Flange for tail above (optional)	N13500044	-	1	1	1	1	1	1	1	1	
29	3	Suction valve (4") gasket	N33070011	-	1	1	1	1	1	1	1	1	
29	3	Suction Connection Gasket (axial suction)	N33070011	-	1	1	1	1	2	2	2	2	
29	3	Suction Connection Gasket (radial suction)	N33100006	-	1	1	1	1	1	1	1	1	
31	1	Internal Relief Valve 31 Bar	N30070084	-	2	2	2	2	2	2	2	2	
31	1	Internal Relief Valve 24.5 Bar (R134a)	N30070079	-	2	2	2	2	2	2	2	2	
Gasket, O-Ring and Shim Kits													
N/S	N/S	Oil Filter Replacement Gasket & O-Ring Set	N33010027	-	1	1	1	1	1	1	1	1	
N/S	N/S	Motor Replacement Gasket & O-Ring Set	N33010037	-	N/A				1	1	1	1	
N/S	N/S	Gland Seal Replacement Gasket & O-Ring Set	N33010035	95815-018	1	1	1	1	N/A				
N/S	N/S	Full Gasket & O-Ring Set	N33010038	-	1	1	1	1	N/A				
N/S	N/S	Full Gasket & O-Ring Set	N33010040	-	N/A				1	1	1	1	
N/S	N/S	Shim Set	N02260012	92848-405	1	1	1	1	1	1	1	1	
Accessories (where fitted)													
30	1	Discharge Thermostat 100°C	N05060031	95814-502	1	1	1	1	1	1	1	1	
N/S	N/S	Oil level Sensor	N05110007	-	N/A				1	1	1	1	
N/S	N/S	Oil Seperator Sight Glass 1"	N27070001	2367-328	N/A				2	2	2	2	
N/S	N/S	Oil Separator Pipe Sight Glass 1/2"	N27070002	2367-325	N/A				1	1	1	1	

HS4200 Issue 10 (H) Page 8 HS4200 Spare Parts List Open & Semi-Hermetic Compressors					Quantity for each compressor							
					Open				Semi-Hermetic			
Item	Diagram	Description	Part Number	Old Part Number	4221	4222	4223	4224	4221	4222	4223	4224
		<u>Copper Fittings - Liquid & Economiser Kit</u>										
N/S	N/S	Liquid & Economiser Kit (NOT NH3) - incs items below	N02830003	94781-347	1	1	1	1	1	1	1	1
N/S	N/S	Adaptor liquid injection (top) - R134a only	N34220009	-	1	1	1	1	1	1	1	1
N/S	N/S	Oil Drain Adaptor	N34220009	-	1	1	1	1	1	1	1	1
N/S	N/S	Oil Drain connector	N13050068	-	1	1	1	1	1	1	1	1
N/S	N/S	o-ring 24.2 x 2mm section for liquid injection	N14060145	-	1	1	1	1	1	1	1	1
N/S	N/S	o-ring 24.2 x 2mm section for economiser	N14060145	-	2	2	2	2	2	2	2	2
N/S	N/S	o-ring 24.2 x 2mm section for oil inlet	N14060145	-	1	1	1	1	1	1	1	1
N/S	N/S	Teflon gasket rotalock 1.1/4"	N33070028	-	4	4	4	4	4	4	4	4
N/S	N/S	Connector rotalock for liquid injection 2 - 1.1/16" UNF	N13050066	-	1	1	1	1	1	1	1	1
N/S	N/S	Connector rotalock for economiser 2 - 1.1/16" UNF	N13050066	-	2	2	2	2	2	2	2	2
N/S	N/S	Connector rotalock for oil inlet - 1.1/16" UNF	N13050066	-	1	1	1	1	1	1	1	1
N/S	N/S	Adaptor rotalock straight - for liquid inj for 7/8" OD pipe	N13050064	-	1	1	1	1	1	1	1	1
N/S	N/S	Adaptor rotalock straight - for economiser for 7/8" OD pipe	N13050064	-	2	2	2	2	2	2	2	2
N/S	N/S	Adaptor rotalock straight - for oil inlet 1.1/8" OD pipe	N13050065	-	1	1	1	1	1	1	1	1
		<u>Steel fittings - Liquid & Economiser Kit</u>										
N/S	N/S	Liquid & Economiser Kit (Economiser Kit NH3) - incs items below	N02830002	94781-806								
N/S	N/S	Coupling with o-ring - for oil drain - for 3/4" NB pipe	N13050062	-	3	3	3	3	N/A			
N/S	N/S	Coupling with o-ring - for liquid inj - 1" NB pipe	N13050063	-	1	1	1	1				
N/S	N/S	Coupling with o-ring - for economiser - 1" NB pipe	N13050063	-	2	2	2	2				
N/S	N/S	Coupling with o-ring - for oil inlet 1" NB pipe	N13050063	-	1	1	1	1				
N/S	N/S	<u>External Oil Line Kit - HSM & HSL only</u>										
N/S	N/S	Oil filter assy inc elemet (FMP135 type)	N12070025	-	N/A				1	1	1	1
N/S	N/S	Oil Filter element (MP type)	N12070018	-					1	1	1	1
N/S	N/S	Oil Filter Gasket Set (to suit MP type)	N33010107	-					1	1	1	1
N/S	N/S	Connector rotalock - 1.1/6" UNF	N13050066	-					2	2	2	2
N/S	N/S	Adaptor rotalock straight - 1.1/8" OD Pipe	N13050065	-					2	2	2	2
N/S	N/S	Solenoid valve - EVR25	N30010082	-					1	1	1	1
N/S	N/S	Coil to suit - 115V	N30020014	-					1	1	1	1
N/S	N/S	Coil to suit - 220V	N30020066	-					1	1	1	1
N/S	N/S	NRVA20 valve c/w 3.0mm vent hole	N30090073	-					1	1	1	1

Replacement Parts List
HS4200 – Issue 10 (H)
Date: August 2011
Replaces: HS4200 – Issue 9 (H)

Halltherm

Hansard Gate, West Meadows
Derby, DE21 6JN

Tel: 01332 253400 Fax: 01332 371061

Email: Halltherm@jehall.co.uk

Web: www.jehall.com

All data printed is believed to be correct at the time of issue and is for guidance only. We accept no liability for any incorrect information supplied. The compressor design and construction is subject to change without prior notice.