

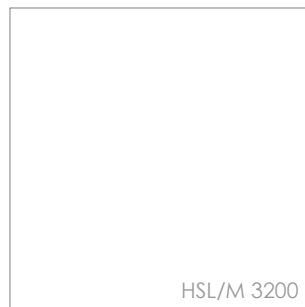
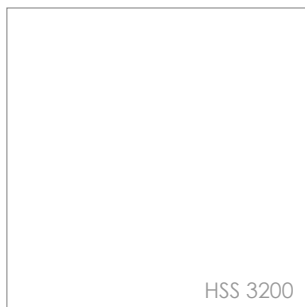


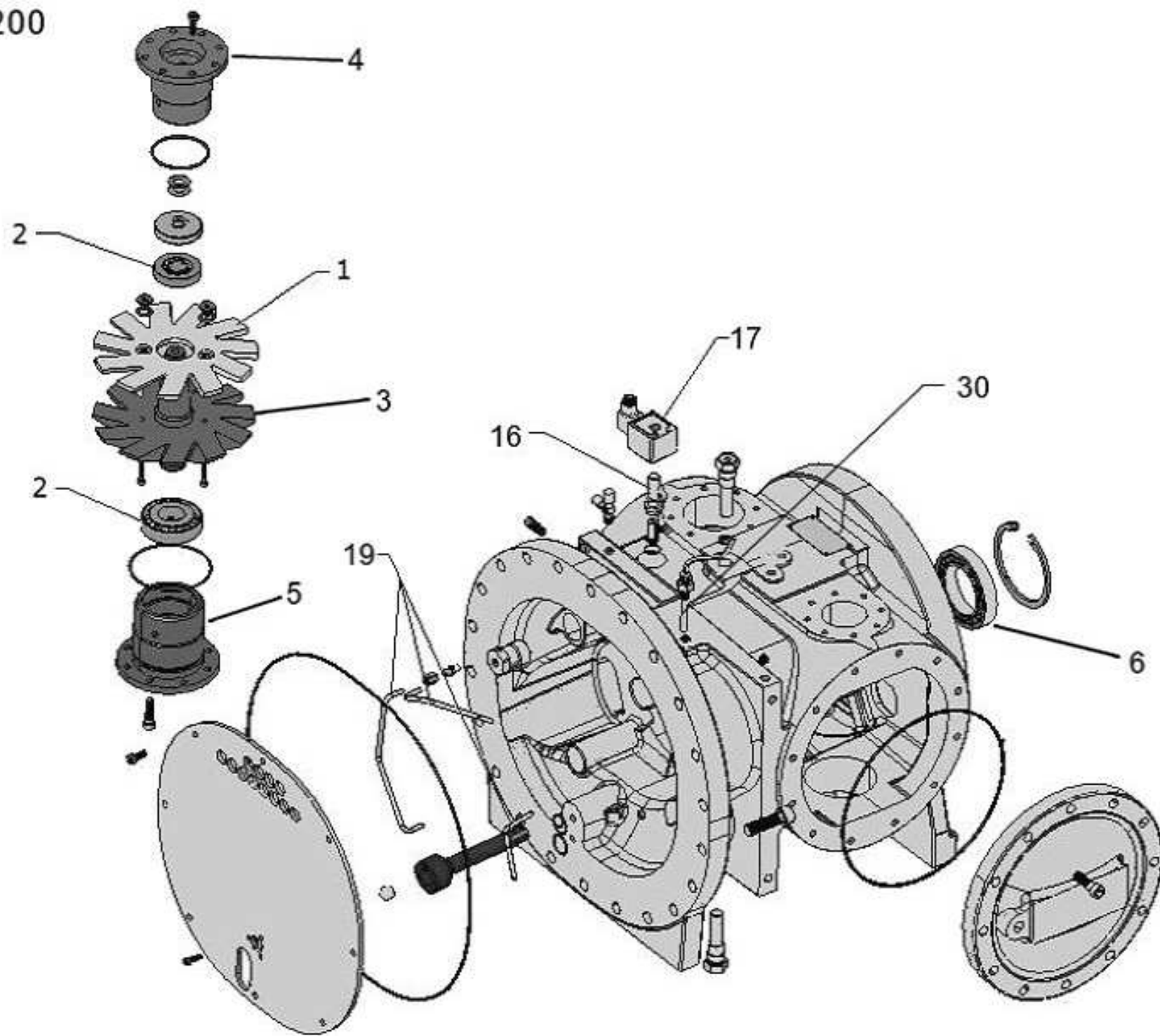
HallScrew Replacement Parts List

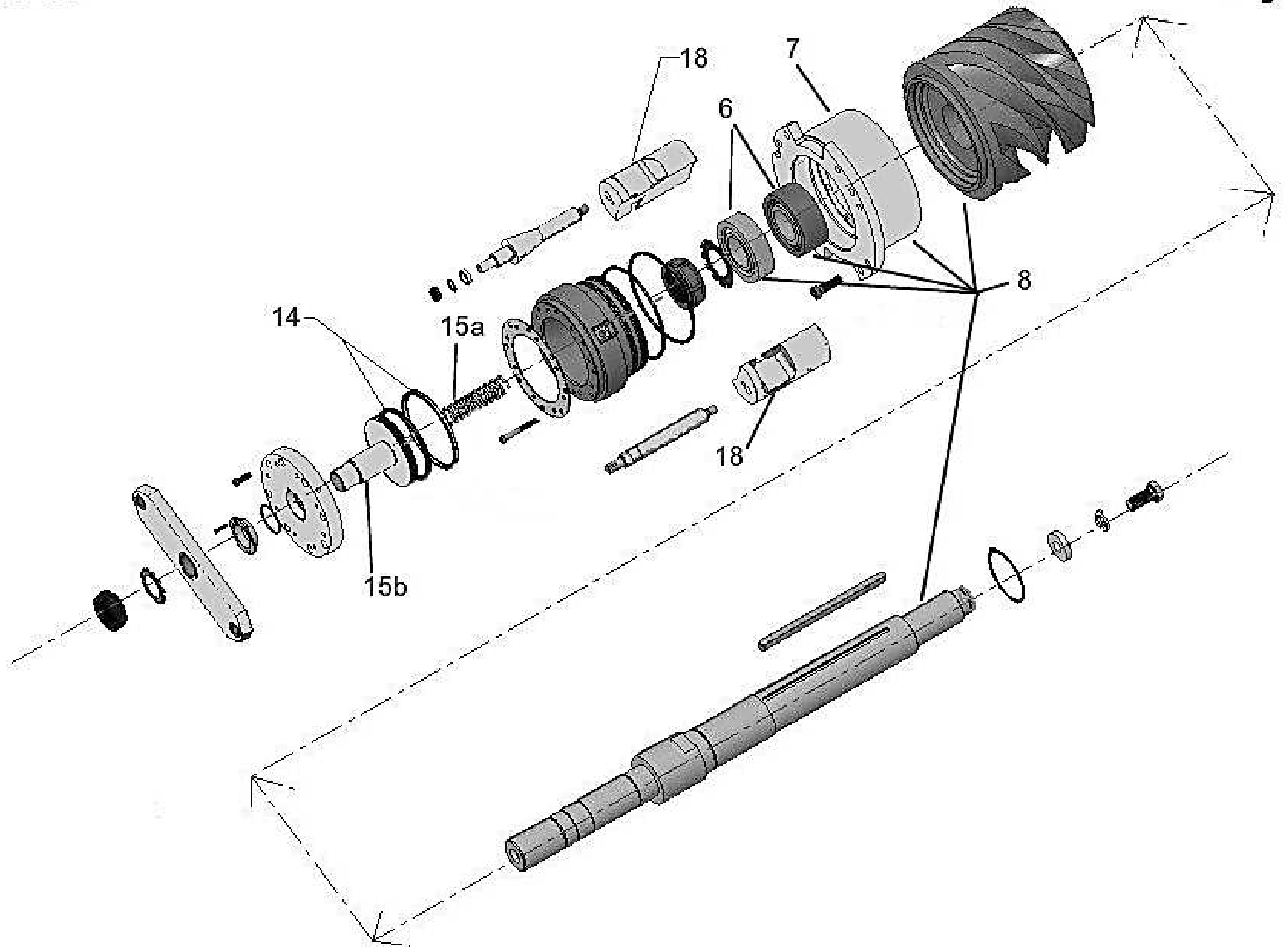
HSS, HSM/L & HSO 3200

Open drive & semi hermetic single screw compressors

April 2010

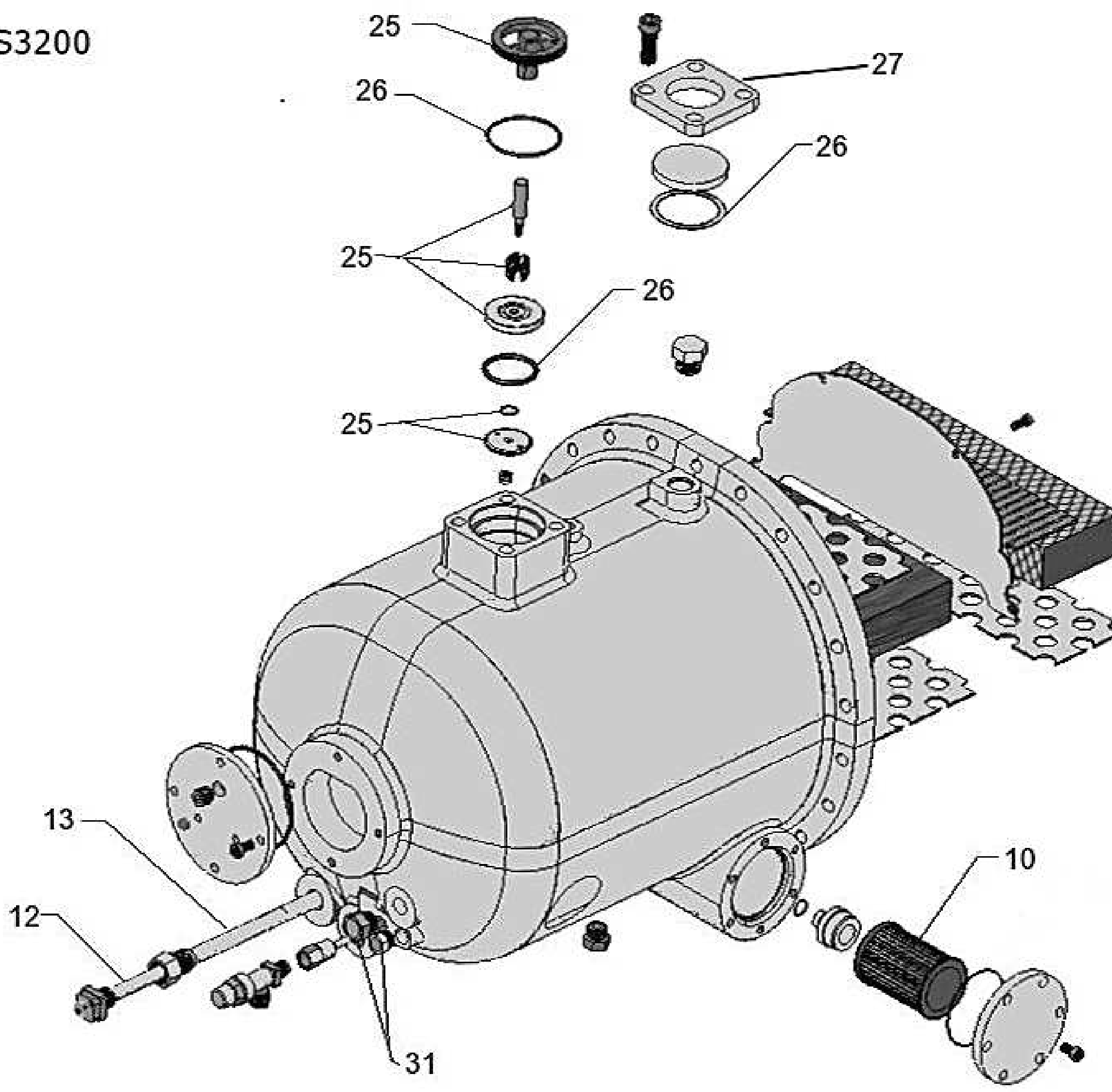


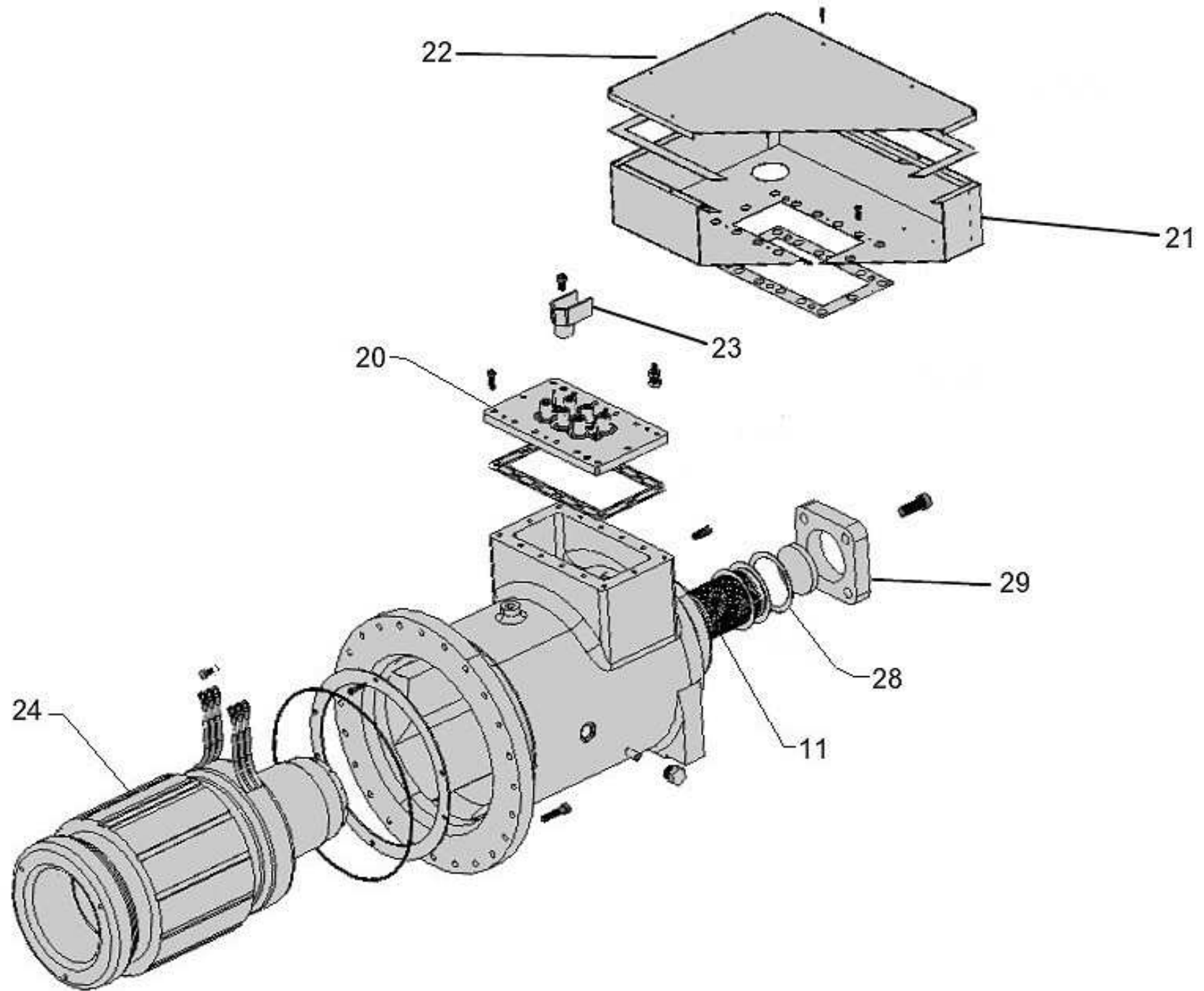




HS3200

Diagram 3





HS3200 Issue 10 (H) Page 6					HS3200 Spare Parts List Open & Semi-Hermetic Compressors								Quantity for each compressor			
					Open				Semi-Hermetic							
Item	Diagram	Description	Part Number	Old P/No	3216	3218	3220	3221	3216	3218	3220	3221				
		Stars														
1	1	Hallplas Star Kit (Supplied as 1 pair of stars)	N02280004	95814-001	1				1							
1	1	Hallplas Star Kit (Supplied as 1 pair of stars)	N02280005	95814-101		1				1						
1	1	Hallplas Star Kit (Supplied as 1 pair of stars)	N02280006	95814-201			1				1					
1	1	Hallplas Star Kit (Supplied as 1 pair of stars)	N02280027	95814-301				1				1				
2	1	Star Bearing Kit (Top and Bottom Bearings)	N02050048	95814-204	1	1	1	1	1	1	1	1				
3	1	Star Shaft Rotor & Backing	N02840006	82248-477	2				2							
3	1	Star Shaft Rotor & Backing	N02840005	82248-476		2				2						
3	1	Star Shaft Rotor & Backing	N02840004	82248-475			2	2			2	2				
4	1	Star Bearing Housing - Small*	N02500012	86315-324	2	2	2	2	2	2	2	2				
5	1	Star Bearing Housing - Large*	N02500013	86315-326	2	2	2	2	2	2	2	2				
		<i>* Small housing goes on the top on one side but the bottom on the other (the same goes for the large ones as well)</i>														
		Main Rotor & Shaft Assy														
N/S	N/S	Gland Seal Assy (does not inc Gaskets and O-ring)	N02020040	95813-302	1	1	1	1	N/A							
N/S	N/S	Gland Seal Cover Plate	N02420003	86343-117	1	1	1	1								
N/S	N/S	Gland Seal Housing	N02420004	86356-121	1	1	1	1								
6	1&2	Main Bearing Kit (Brass) With s/no ending in -09, upto Feb 2009	N02050169	-	1	1	1	1								
6	1&2	Main Bearing Kit (Steel) With s/no ending in -10, from Feb 2009	N02050170	-	1	1	1	1								
6	1&2	Main Bearing Kit (Brass) for all Semihermetic Compressors	N02050169	-					1	1	1	1				
7	2	Bearing Housing	N02500014	-	1	1	1		1	1	1					
7	2	Bearing Housing	N02500015	-				1				1				
		<i>For Compressors With s/no ending in -09, upto Feb 2009</i>														
8	2	Rotor, Shaft and Bearing Housing Assy (inc all main and drive end brgs)	N02240044	-	1				N/A*							
8	2	Rotor, Shaft and Bearing Housing Assy (inc all main and drive end brgs)	N02240043	-		1										
8	2	Rotor, Shaft and Bearing Housing Assy (inc all main and drive end brgs)	N02240042	-			1									
8	2	Rotor, Shaft and Bearing Housing Assy (inc all main and drive end brgs)	N02240045	-				1								
		<i>For Compressors With s/no ending in -10, from Feb 2009</i>														
8	2	Rotor, Shaft and Bearing Housing Assy (inc all main and drive end brgs)	N02240036	-	1											

HS3200 Issue 10 (H) Page 7 HS3200 Spare Parts List Open & Semi-Hermetic Compressors					Quantity for each compressor							
					Open				Semi-Hermetic			
Item	Diagram	Description	Part Number	Old P/No	3216	3218	3220	3221	3216	3218	3220	3221
8	2	Rotor, Shaft and Bearing Housing Assy (inc all main and drive end brgs)	N02240035	-		1			N/A [#]			
8	2	Rotor, Shaft and Bearing Housing Assy (inc all main and drive end brgs)	N02240034	-			1					
8	2	Rotor, Shaft and Bearing Housing Assy (inc all main and drive end brgs)	N02240037	-			1					
<i># On the semi's you will need to order a new compressor as the stator rotor will also have to be changed (therefore nearly all of the compressor would have to be changed)</i>												
Filters												
10	3	Internal Oil Filter Element (does not include Gaskets and O-rings)	N02370008	95816-401	1	1	1	1	1	1	1	1
11	4	Suction Filter (for comps without 138/166kW motor)	N12010011	87211-301	N/A				1	1	1	1
11	4	Suction Filter (for comps with 138/166kW motor)	N02490008	-					1	1	1	1
Heaters												
12	3	Integral Oil Separator Heater 115V	N19070002	95813-217	1	1	1	1	1	1	1	1
12	3	Integral Oil Separator Heater 230V	N19070003	95813-218	1	1	1	1	1	1	1	1
13	3	Integral Oil Separator Heater Pocket	N13390001	-	1	1	1	1	1	1	1	1
<i>NB HS3200 compressors are not fitted with crankcase heaters, only on the integral oil seperator</i>												
Capacity Control												
14	2	Piston Ring (Glyd Ring) & O-Ring Set	N02630003	95814-205	1	1	1	1	1	1	1	1
15a	2	Capacity Control Piston Spring	N02630046	-	1	1	1	1	1	1	1	1
15b	2	Capacity Control Piston	N02630045	-	1	1	1	1	1	1	1	1
Solenoid Valves 115v 50/60Hz												
16	1	Capacity Control Solenoid Valve Kit (Asco) (kit includes 2 valves & 2 coils)	N30010038	95823-415	1	1	1	1	1	1	1	1
16	1	Capacity Control Solenoid Valve Kit (Sporlan) (kit includes 2 valves & 2 coils)	N30010041	95823-417	1	1	1	1	1	1	1	1
17	1	Capacity Control Solenoid Valve Coil (Asco)	N30020034	-	2	2	2	2	2	2	2	2
17	1	Capacity Control Solenoid Valve Coil (Sporlan)	N30020039	-	2	2	2	2	2	2	2	2
Solenoid Valves 230v 50/60Hz												
16	1	Capacity Control Solenoid Valve Kit (Asco) (kit includes 2 valves & 2 coils)	N30010039	95823-416	1	1	1	1	1	1	1	1
16	1	Capacity Control Solenoid Valve Kit (Sporlan) (kit includes 2 valves & 2 coils)	N30010042	95823-418	1	1	1	1	1	1	1	1
17	1	Capacity Control Solenoid Valve Coil (Asco)	N30020047	-	2	2	2	2	2	2	2	2
17	1	Capacity Control Solenoid Valve Coil (Sporlan)	N30020045	-	2	2	2	2	2	2	2	2

HS3200 Issue 10 (H) Page 8					HS3200 Spare Parts List Open & Semi-Hermetic Compressors								Quantity for each compressor			
					Open				Semi-Hermetic							
Item	Diagram	Description	Part Number	Old P/No	3216	3218	3220	3221	3216	3218	3220	3221				
		Solenoid Valves 24V														
16	1	Capacity Control Solenoid Valve Kit (Sporlan) (kit includes 2 valves & 2 coils)	N30010106	95823-420	1	1	1	1	1	1	1	1				
17	1	Capacity Control Solenoid Valve Coil (Sporlan)	N30020046	-	2	2	2	2	2	2	2	2				
		Capacity Control Slides														
18	2	Capacity Control Slides 2.2VR (supplied as a pair)	N02860001	95813-010	1				1							
18	2	Capacity Control Slides 3.0VR (supplied as a pair)	N02860003	95813-011	1				1							
18	2	Capacity Control Slides 4.9VR (supplied as a pair)	N02860005	95813-013	1				1							
18	2	Capacity Control Slides 2.2VR (supplied as a pair)	N02860002	95813-210		1	1			1	1					
18	2	Capacity Control Slides 3.0VR (supplied as a pair)	N02860004	95813-211		1	1			1	1					
18	2	Capacity Control Slides 4.9VR (supplied as a pair)	N02860006	95813-113		1				1						
18	2	Capacity Control Slides 4.9VR (supplied as a pair)	N02860007	95813-213			1				1					
18	2	Capacity Control Slides 2.2VR (supplied as a pair)	N02860117	95813-310				1				1				
18	2	Capacity Control Slides 3.0VR (supplied as a pair)	N02860118	95813-311				1				1				
18	2	Capacity Control Slides 4.9VR (supplied as a pair)	N02860119	95813-313				1				1				
N/S	N/S	Capacity Control Slide Spacer ⁺	N13430013	84215-108	2				2							
N/S	N/S	Capacity Control Slide Spacer ⁺	N13430012	84215-107		3				2						
		⁺ NB Spacers are only fitted to the HS3216 and HS3218 compressors														
		Capacity Indicators														
N/S	N/S	Capacity Indicator from Feb 08 (MSILVDT) (not self setable)	N05390008	-	1	1	1	1	1	1	1	1				
N/S	N/S	Capacity Indicator from Feb 08 (MSILVDT) (self setable)	N05390013	-	1	1	1	1	1	1	1	1				
		<i>The MSI LVDT is a direct 'drop-in' replacement for the now obsolete HBLVDT fitted, which was fitted on compressors built before Feb 2008</i>														
		Oil Tubes														
19	1	Bearing Oil supply Tube Kit (also require item 24)	N02210013	95822-240					1	1	1	1				
19	1	Bearing Oil supply Tube Kit (also require item 24)	N02210014	95822-237	1	1	1	1								

HS3200 Issue 10 (H) Page 9					HS3200 Spare Parts List Open & Semi-Hermetic Compressors								Quantity for each compressor			
					Open				Semi-Hermetic							
Item	Diagram	Description	Part Number	Old P/No	3216	3218	3220	3221	3216	3218	3220	3221				
		Motor Terminals														
20	4	Terminal Plate	N02470010	95812-423	N/A				1	1	1	1				
21	4	Terminal box	N02580003	-					1	1	1	1				
22	4	Terminal box Lid	N02580004	-					1	1	1	1				
23	4	Motor Terminal Plastic Insulator	N13060020	-					6	6	6	6				
N/S	N/S	10.5mm Washers	N13540036	-					8	8	8	8				
N/S	N/S	M10 x 16 Screws	N13460108	-					6	6	6	6				
N/S	N/S	Ground Screw and Nut (for Earth)	N13460019	-					1	1	1	1				
N/S	N/S	Motor protection INT69 TM 115V 50/60Hz	N05140010	-					1	1	1	1				
N/S	N/S	Motor protection INT69 TM 230V 50/60Hz	N05140011	-					1	1	1	1				
N/S	N/S	Motor protection INT69 TM 24VAC 50/60Hz	N05140035	-					1	1	1	1				
N/S	N/S	Motor protection INT69 TM 24VDC 50/60Hz	N05140036	-					1	1	1	1				
N/S	N/S	DOL Bridge Bars Kit (optional)	N09360001	-					1	1	1	1				
		Stators														
24	4	*Stator 400V 50Hz 82kW / 460V 60Hz 98kW	N02330046	-	N/A				1	1	1	1				
24	4	*Stator 400V 50Hz 138kW / 460V 60Hz 166kW	N02330048	-					1	1	1	1				
24	4	*Stator 440V 60Hz 98kW	N02330045	-					1	1	1	1				
24	4	*Stator 575V 60Hz 82kW	N02330047	-					1	1	1	1				
24	4	*Stator 380V 60Hz 98kW	N02330044	-					1	1	1	1				
24	4	*Stator 230V 60Hz 82kW	N02330043	-					1	1	1	1				
24	4	*Stator 208V 60Hz 82kW	N02330042	-					1	1	1	1				
		<i>*Replacement stators need to be shrunk fit into the existing motor housing - if this cannot be done on site you may need to order full assy (POA)</i>														
		Valves														
25	3	3 in 1 Discharge & Check Valve (optional) - for HSS & R134a only	N30150074	95814-210					1	1	1	1				
26	3	Gasket to suit 3 in 1 Discharge & Check Valve	N33080012	88114-312					1	1	1	1				
N/S	N/S	Discharge Check Valve Replacement Gasket & O-Ring Set	N33010066	95822-316					1	1	1	1				
N/S	N/S	Standard Discharge Shut Off Valve 2.1.2"	N30150131	-	1	1	1	1	1	1	1	1				

HS3200 Issue 10 (H) Page 10					HS3200 Spare Parts List Open & Semi-Hermetic Compressors								Quantity for each compressor			
					Open				Semi-Hermetic							
Item	Diagram	Description	Part Number	Old P/No	3216	3218	3220	3221	3216	3218	3220	3221				
		Valves cont...														
N/S	N/S	2. 1/2"NB x 2.5/8" OD pipe - Discharge Tail (HSO/HSL/HSM)	N13050071	84344-310	1	1	1	1	1	1	1	1				
N/S	N/S	Discharge Bush 2" 3100/3200 (HSO/HSI)	N13050070	84344-308					1	1	1	1				
26	3	Gasket to suit Discharge Tail (All types)	N33080012	88114-312	1	1	1	1	1	1	1	1				
27	3	Discharge Flange 2.1/2" (HSO/HSL/HSM)	N13500043	-	1	1	1	1	1	1	1	1				
27	3	Discharge Flange 2.1/8" (HSO/HSI)	N13500042	-					1	1	1	1				
N/S	N/S	Suction Shut-Off Valve 3" (Optional) - normally with 82KW motor	N30150067	-	1	1	1	1	1	1	1	1				
28	4	Suction valve (3") gasket	N33070030	88114-311	1	1	1	1	1	1	1	1				
N/S	N/S	Suction Shut-Off Valve 4" (Optional) - 138KW motor only	N30150073	-					1	1	1	1				
28	4	Suction valve (4") gasket 138KW motor only	N33070011	-					1	1	1	1				
N/S	N/S	Suction Tail for 3" NB x 3.18" OD Pipe	N13050069	7363-907	1	1	1	1	1	1	1	1				
29	4	Suction Flange (for 3" Suction Tail)	N13050073	86431-101	1	1	1	1	1	1	1	1				
28	4	Suction Valve (3") Gasket	N33070030	88114-311	1	1	1	1	1	1	1	1				
N/S	N/S	Suction Tail for 4" NB x 4.1/8" OD Pipe 138KW motor only	N13050072	84344-311					1	1	1	1				
29	4	Suction Flange (for 4" Tail) 138KW motor only	N13500044	-					1	1	1	1				
28	4	Suction Valve (4") Gasket 138KW motor only	N33070011	-					1	1	1	1				
N/S	N/S	Internal Relief Valve 31 Bar	N33070011	-	2	2	2	2	2	2	2	2				
N/S	N/S	Internal Relief Valve 24.5 Bar (R134a)	N33070011	-	2	2	2	2	2	2	2	2				
		Gasket, O-Ring and Shim Kits														
N/S	N/S	Oil Filter Replacement Gasket & O-Ring Set	N33010027	-	1	1	1	1	1	1	1	1				
N/S	N/S	Motor Replacement Gasket & O-Ring Set	N33010069	95822-110					1	1	1	1				
N/S	N/S	Gland Seal Replacement Gasket & O-Ring Set	N33010035	95815-018	1	1	1	1								
N/S	N/S	Full Gasket & O-Ring Set (HSO)	N33010033	95815-016	1	1	1	1								
N/S	N/S	Full Gasket & O-Ring Set (HSL/HSM)	N33010108	-					1	1	1	1				
N/S	N/S	Full Gasket & O-Ring Set (HSS 82kW & HSI)	N33010109	-					1	1	1	1				
N/S	N/S	Full Gasket & O-Ring Set (HSS 138kW)	N33010110	-					1	1	1	1				
N/S	N/S	Shim Set	N02260015	92847-302	1	1	1	1	1	1	1	1				

HS3200 Issue 10 (H) Page 11		HS3200 Spare Parts List Open & Semi-Hermetic Compressors			Quantity for each compressor								
Item	Diagram	Description	Part Number	Old P/No	Open				Semi-Hermetic				
					3216	3218	3220	3221	3216	3218	3220	3221	
		Accessories (where fitted)											
30	1	Discharge Thermostat 100oC	N05060031	95814-502	1	1	1	1	1	1	1	1	1
N/S	N/S	Oil Level Sensor	N05110007	95814-602	1	1	1	1	1	1	1	1	1
31	3	Oil Separator 1" Sight Glass*	N27070001	2367-328	1	1	1	1	1	1	1	1	1
31	3	Oil Separator 1/2" Sight Glass*	N27070002	2367-325	1	1	1	1	1	1	1	1	1
		<i>*Earlier compressors used 2 x 2367-328 (1" sight glass) instead of the 1/2" sight glass</i>											
		<u>Copper Fittings- Liquid & Economiser Kit</u>											
N/S	N/S	Liquid & Economiser Kit (NOT NH3) - incs items below	N02830003	94781-347	1	1	1	1	1	1	1	1	1
N/S	N/S	Adaptor liquid injection (top) - R134a only	N34220009	-	1	1	1	1	1	1	1	1	1
N/S	N/S	Oil Drain Adaptor	N34220009	-	1	1	1	1	1	1	1	1	1
N/S	N/S	Oil Drain connector	N13050068	-	1	1	1	1	1	1	1	1	1
N/S	N/S	o-ring 24.2 x 2mm section for liquid injection	N14060145	-	1	1	1	1	1	1	1	1	1
N/S	N/S	o-ring 24.2 x 2mm section for economiser	N14060145	-	2	2	2	2	2	2	2	2	2
N/S	N/S	o-ring 24.2 x 2mm section for oil inlet)	N14060145	-	1	1	1	1	1	1	1	1	1
N/S	N/S	Teflon gasket rotalock 1.1/4"	N33070028	-	4	4	4	4	4	4	4	4	4
N/S	N/S	Connector rotalock for liquid injection 2 - 1.1/16" UNF	N13050066	-	1	1	1	1	1	1	1	1	1
N/S	N/S	Connector rotalock for economiser 2 - 1.1/16" UNF	N13050066	-	2	2	2	2	2	2	2	2	2
N/S	N/S	Connector rotalock for oil inlet - 1.1/16" UNF	N13050066	-	1	1	1	1	1	1	1	1	1
N/S	N/S	Adaptor rotalock straight - for liquid inj for 7/8" OD pipe	N13050064	-	1	1	1	1	1	1	1	1	1
N/S	N/S	Adaptor rotalock straight - for economiser for 7/8" OD pipe	N13050064	-	2	2	2	2	2	2	2	2	2
N/S	N/S	Adaptor rotalock straight - for oil inlet 1.1/8" OD pipe	N13050065	-	1	1	1	1	1	1	1	1	1
		<u>Steel fittings - Liquid & Economiser Kit</u>											
N/S	N/S	Liquid & Economiser Kit (Economiser Kit NH3) - incs items below	N02830002	94781-806									
N/S	N/S	Coupling with o-ring - for oil drain - for 3/4" NB pipe	N13050062	-	3	3	3	3	N/A				
N/S	N/S	Coupling with o-ring - for liquid inj - 1" NB pipe	N13050063	-	1	1	1	1					
N/S	N/S	Coupling with o-ring - for economiser - 1" NB pipe	N13050063	-	2	2	2	2					
N/S	N/S	Coupling with o-ring - for oil inlet 1" NB pipe	N13050063	-	1	1	1	1					
		<u>External Oil Line Kit - HSM & HSL only</u>											
N/S	N/S	Oil filter assy inc elemet (FMP135 type)	N12070025	-	N/A				1	1	1	1	

HS3200 Issue 10 (H) Page 12		HS3200 Spare Parts List Open & Semi-Hermetic Compressors			Quantity for each compressor											
Item	Diagram	Description	Part Number	Old P/No	Open				Semi-Hermetic							
					3216	3218	3220	3221	3216	3218	3220	3221				
		Accessories (where fitted) cont...			N/A											
		<i>External Oil Line Kit - HSM & HSL only - cont...</i>														
N/S	N/S	Oil Filter element (MP type)	N12070018	-									1	1	1	1
N/S	N/S	Oil Filter Gasket Set (to suit MP type)	N33010107	-									1	1	1	1
N/S	N/S	Connector rotalock - 1.1/16" UNF	N13050066	-									2	2	2	2
N/S	N/S	Adaptor rotalock straight - 1.1/8" OD pipe	N13050065	-									2	2	2	2
N/S	N/S	Solenoid valve - EVR25	N30010082	-									1	1	1	1
N/S	N/S	Coil to suit - 115V	N30020014	-									1	1	1	1
N/S	N/S	Coil to suit - 220V	N30020066	-									1	1	1	1
N/S	N/S	NRV20 valve c/w 3.0mm vent hole	N30090073	-									1	1	1	1

