



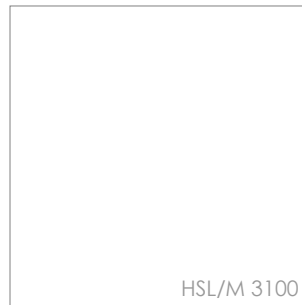
# HallScrew Replacement Parts List

HSS & HSM/L 3100  
Semi hermetic single screw compressors

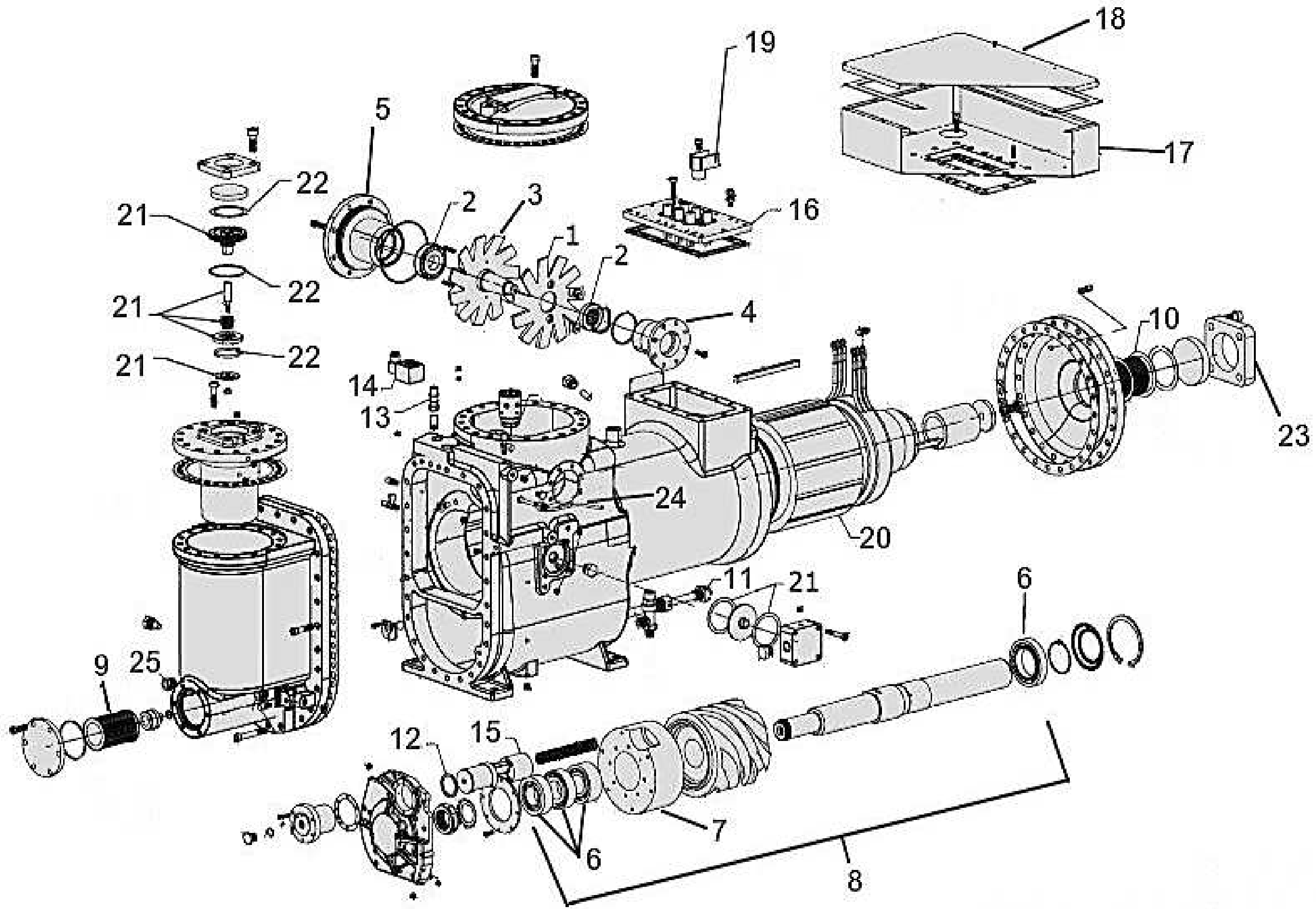
April 2010



HSS 3100



HSL/M 3100



## HS3100 Spare Parts List Semi-Hermetic Compressor

Quantity for Each Compressor

Item	Diagram	Description	Part Number	Old P/No	3118	3120	3121	3122
		<b>Stars</b>						
1	1	Hallplas Star	<b>N02280022</b>	95813-106	1			
1	1	Hallplas Star	<b>N02280023</b>	95813-206		1		
1	1	Hallplas Star	<b>N02280024</b>	95813-306			1	
1	1	Hallplas Star	<b>N02280025</b>	95813-406				1
2	1	Star Bearing Kit (Top and Bottom Bearings)	<b>N02050124</b>	95813-203	1	1	1	1
3	1	Star Shaft Rotor & Backing	<b>N02840007</b>	-	1			
3	1	Star Shaft Rotor & Backing	<b>N02840008</b>	-		1		
3	1	Star Shaft Rotor & Backing	<b>N02840009</b>	-			1	
3	1	Star Shaft Rotor & Backing	<b>N02840010</b>	-				1
4	1	Star Bearing Housing - Small*	<b>N02500016</b>	-	2	2	2	2
5	1	Star Bearing Housing - Large*	<b>N02500017</b>	-	2	2	2	2
		<i>* Small housing goes on the top on one side but the bottom on the other (the same goes for the large ones as well)</i>						
		<b>Main Rotor &amp; Shaft Assy</b>						
6	1	Main Bearing Kit (incs all 4 Main Bearings)	<b>N02050171</b>	-	1	1	1	1
7	1	Bearing Housing	<b>N02500018</b>	-	1	1	1	1
8	1	Rotor, Shaft and Bearing Housing Assy (Also includes the main bearings)	<b>N02240030</b>	-	1			
8	1	Rotor, Shaft and Bearing Housing Assy (Also includes the main bearings)	<b>N02240031</b>	-		1		
8	1	Rotor, Shaft and Bearing Housing Assy (Also includes the main bearings)	<b>N02240032</b>	-			1	
8	1	Rotor, Shaft and Bearing Housing Assy (Also includes the main bearings)	<b>N02240033</b>	-				1
		<b>Filters</b>						
9	1	Internal Oil Filter Element (does not inc Gaskets & O-rings)	<b>N02370008</b>	95816-401	1	1	1	1
10	1	Suction Filter	<b>N12010011</b>	87211-301	1	1	1	1

**HS3100 Spare Parts List  
Semi-Hermetic Compressor**

Quantity for Each Compressor

Item	Diagram	Description	Part Number	Old P/No	3118	3120	3121	3122
		<b>Heaters</b>						
11	1	Integral Oil Seperator Heater 115V 250W	N19070002	95813-217	1	1	1	1
11	1	Interal Oil Seperator Heater 230V 250W	N19070003	95813-218	1	1	1	1
11	1	Oil Heater Pocket	N13390001	-	1	1	1	1
		<b>Capacity Control</b>						
12	1	Piston Ring (Glyd Ring) & Gasket Set	N02630040	95813-108	1	1	1	1
		<b>Solenoid Valves 115v 50/60Hz</b>						
13	1	Capacity Control Solenoid Valve Kit (Sporlan) (kit includes 2 valves & 2 coils)	N30010041	95823-417	1	1	1	1
14	1	Capacity Control Solenoid Valve Coil (Sporlan)	N30020039	-	2	2	2	2
		<b>Solenoid Valves 230v 50/60Hz</b>						
13	1	Capacity Control Solenoid Valve Kit (Sporlan) (kit includes 2 valves & 2 coils)	N30010042	95823-418	1	1	1	1
14	1	Capacity Control Solenoid Valve Coil (Sporlan)	N30020045	-	2	2	2	2
		<b>Solenoid Valves 24V</b>						
13	1	Capacity Control Solenoid Valve Kit (Sporlan) (kit includes valves & 2 coils)	N30010106	95823-420	1	1	1	1
14	1	Capacity Control Solenoid Valve Coil 24V (Sporlan)	N30020046	-	2	2	2	2
		<b>Capacity Control Slides</b>						
15	1	Capacity Control Slide 2.0VR	N02860110	-	1	1	1	1
15	1	Capacity Control Slide 3.0VR	N02860111	-	1			
15	1	Capacity Control Slide 3.0VR	N02860112	-		1	1	1
15	1	Capacity Control Slide 4.9VR	N02860113	-	1			
15	1	Capacity Control Slide 4.9VR	N02860114	-		1		
15	1	Capacity Control Slide 4.9VR	N02860115	-			1	
15	1	Capacity Control Slide 4.9VR	N02860116	-				1

**HS3100 Spare Parts List  
Semi-Hermetic Compressor**

Quantity for Each Compressor

Item	Diagram	Description	Part Number	Old P/No	3118	3120	3121	3122
		<b>Capacity Control Slides cont...</b>						
N/S	N/S	Capacity Control Slide Stop	<b>N02860121</b>	-	1			
N/S	N/S	Capacity Control Slide Stop	<b>N02860122</b>	-		1		
N/S	N/S	Capacity Control Slide Stop	<b>N02860123</b>	-			1	
N/S	N/S	Capacity Control Slide Stop	<b>N02860124</b>	-				1
N/S	N/S	Capacity Control Slide Stop O-Ring	<b>N14060024</b>	-				
		<b>Capacity Indicators</b>						
N/S	N/S	Capacity Indicator from Feb 08 (MSILVDT) (not self setable)	<b>N05390008</b>	-	1	1	1	1
N/S	N/S	Capacity Indicator from Feb 08 (MSILVDT) (self setable)	<b>N05390013</b>	-	1	1	1	1
		<i>The MSI LVDT is a direct 'drop-in' replacement for the now obsolete HBLVDT fitted, which was fitted on compressors built before Feb 2008</i>						
		<b>Motor Terminals</b>						
16	1	Terminal Plate Assy	<b>N02470010</b>	95812-423	1	1	1	1
17	1	Terminal Box	<b>N02580003</b>	-	1	1	1	1
18	1	Terminal Box Lid	<b>N02580004</b>	-	1	1	1	1
19	1	Motor Terminal Plastic Insulators	<b>N13060020</b>	-	6	6	6	6
N/S	N/S	10.5mm Washers	<b>N13540036</b>	-	8	8	8	8
N/S	N/S	M10 x 16 Screws	<b>N13460108</b>	-	6	6	6	6
N/S	N/S	Ground Screw and Nut (for Earth)	<b>N13460019</b>	-	1	1	1	1
N/S	N/S	Motor protection INT69 TM 115V 50/60Hz	<b>N05140010</b>	-	1	1	1	1
N/S	N/S	Motor protection INT69 TM 230V 50/60Hz	<b>N05140011</b>	-	1	1	1	1
N/S	N/S	DOL Bridge Bars Kit (optional)	<b>N09360001</b>	-	1	1	1	1
		<b>Stators R134a</b>						
20	1	Stator 400V 50Hz 43kW / 460V 60Hz 52kW	<b>N02330016</b>	95813-501	1	1		
20	1	Stator 400V 50Hz 60kW / 460V 60Hz 72kW	<b>N02330017</b>	95813-502			1	1

**HS3100 Spare Parts List  
Semi-Hermetic Compressor**

Quantity for Each Compressor

Item	Diagram	Description	Part Number	Old P/No	3118	3120	3121	3122
		<b>Stators R22/R407C/R410A</b>						
20	1	Stator 400V 50Hz 60kW / 460V 60Hz 72kW	<b>N02330017</b>	95813-502	1	1		
20	1	Stator 400V 50 82kW / 460V 60Hz 98kW	<b>N02330018</b>	95813-503			1	1
		<b>Valves</b>						
21	1	Discharge Check Valve 3-in-1 (Optional)	<b>N30150074</b>	95814-210	1	1	1	1
22	1	Gasket to suit 3 in 1 Discharge Check Valve	<b>N33080012</b>	88114-312	1	1	1	1
N/S	N/S	Standard Discharge Check Valve Replacement Gasket & O-Ring Set	<b>N33010066</b>	95822-316	1	1	1	1
N/S	N/S	Standard Discharge Shut Off Valve 2.1.2"	<b>N30150131</b>	-	1	1	1	1
N/S	N/S	Suction Shut-Off Valve (optional)	<b>N30150067</b>	-	1	1	1	1
N/S	N/S	3" NB Suction Tail for 3.1/8" OD Pipe (optional)	<b>N13050069</b>	7363-907	1	1	1	1
23	1	3" NB Suction Flange for tail above (optional)	<b>N13050073</b>	86431-101	1	1	1	1
N/S	N/S	Suction valve (3") gasket	<b>N33070030</b>	88114-311	1	1	1	1
N/S	N/S	Internal Relief Valve 31 Bar	<b>N30070084</b>		1	1	1	1
N/S	N/S	Internal Relief Valve 24.5 Bar - for all R134a only	<b>N30070079</b>		1	1	1	1
		<b>Gasket, O-Ring and Shim Kits</b>						
N/S	N/S	Motor Replacement Gasket & O-Ring Set	<b>N33010065</b>	95822-315	1	1	1	1
N/S	N/S	Oil Filter Replacement Gasket & O-Ring Set	<b>N33010027</b>	-	1	1	1	1
N/S	N/S	Discharge Check Valve Replacement Gasket & O-Ring Set	<b>N33010066</b>	95822-316	1	1	1	1
N/S	N/S	Economiser / Liquid Injection Gasket Set	<b>N33010067</b>	95822-317	1	1	1	1
N/S	N/S	Full Gasket & O-Ring Set	<b>N33010068</b>	-	1	1	1	1
N/S	N/S	Shim Set	<b>N02260014</b>	92847-301	1	1	1	1

**HS3100 Spare Parts List  
Semi-Hermetic Compressor**

Quantity for Each Compressor

Item	Diagram	Description	Part Number	Old P/No	3118	3120	3121	3122
		<b>Accessories (where fitted)</b>						
<b>24</b>	1	Discharge Thermostat 100oC	<b>N05060031</b>	95814-502	<b>1</b>	<b>1</b>	<b>1</b>	<b>1</b>
<b>N/S</b>	N/S	Oil Level Sensor	<b>N05110007</b>	95814-602	<b>1</b>	<b>1</b>	<b>1</b>	<b>1</b>
<b>25</b>	1&2	Oil Separator 1/2" Sight Glass	<b>N27070002</b>	2367-325	<b>1</b>	<b>1</b>	<b>1</b>	<b>1</b>
		<u>Liquid &amp; Economiser Kit</u>						
<b>N/S</b>	N/S	Liquid and Economiser Kit (Not Steel) - incs items below	<b>N02830004</b>	94781-348	<b>1</b>	<b>1</b>	<b>1</b>	<b>1</b>
<b>N/S</b>	N/S	Liquid injection connector	<b>N13050068</b>	-	<b>1</b>	<b>1</b>	<b>1</b>	<b>1</b>
<b>N/S</b>	N/S	Liquid injection adaptor	<b>N34220009</b>	-	<b>1</b>	<b>1</b>	<b>1</b>	<b>1</b>
<b>N/S</b>	N/S	Oil inlet connector (HSM & L only)	<b>N13050066</b>	-	<b>1</b>	<b>1</b>	<b>1</b>	<b>1</b>
<b>N/S</b>	N/S	Oil Inlet O-ring (HSM & L only)	<b>N14060145</b>	-	<b>1</b>	<b>1</b>	<b>1</b>	<b>1</b>
<b>N/S</b>	N/S	Adaptor (rotalock / straight) for Oil Inlet (HSM & L only)	<b>N13050065</b>	-	<b>1</b>	<b>1</b>	<b>1</b>	<b>1</b>
<b>N/S</b>	N/S	Connector (rotalock) for Ecominiser	<b>N13050067</b>	-	<b>1</b>	<b>1</b>	<b>1</b>	<b>1</b>
<b>N/S</b>	N/S	Economiser O-ring	<b>N14060168</b>	-	<b>1</b>	<b>1</b>	<b>1</b>	<b>1</b>
<b>N/S</b>	N/S	Economiser Adaptor (rotalock straight)	<b>N13050064</b>	-	<b>1</b>	<b>1</b>	<b>1</b>	<b>1</b>
<b>N/S</b>	N/S	Economiser plug c/w 4mm orifice	<b>N13450018</b>	-	<b>1</b>	<b>1</b>	<b>1</b>	<b>1</b>
<b>N/S</b>	N/S	Teflon Gasket for rotalock 1.1/4"	<b>N33070028</b>	-	<b>2</b>	<b>2</b>	<b>2</b>	<b>2</b>

**HS3100 Spare Parts List  
Semi-Hermetic Compressor**

Quantity for Each Compressor

Item	Diagram	Description	Part Number	Old P/No	3118	3120	3121	3122
		<i>External Oil Line Kit - HSM &amp; L only</i>						
<b>N/S</b>	N/S	Oil filter MP filter assy inc elemet (FMP135 type)	<b>N12070025</b>	-	<b>1</b>	<b>1</b>	<b>1</b>	<b>1</b>
<b>N/S</b>	N/S	Oil Filter element (MP type)	<b>N12070018</b>	-	<b>1</b>	<b>1</b>	<b>1</b>	<b>1</b>
<b>N/S</b>	N/S	Oil Filter Gasket Set (to suit MP type)	<b>N33010107</b>	-	<b>1</b>	<b>1</b>	<b>1</b>	<b>1</b>
<b>N/S</b>	N/S	Connector Rotalock - 1.1/16" UNF	<b>N13050066</b>	-	<b>2</b>	<b>2</b>	<b>2</b>	<b>2</b>
<b>N/S</b>	N/S	Adaptor Rotalock Straight - 1.1/8" OD pipe	<b>N13050065</b>	-	<b>2</b>	<b>2</b>	<b>2</b>	<b>2</b>
<b>N/S</b>	N/S	Solenoid Valve - EVR25	<b>N30010082</b>	-	<b>1</b>	<b>1</b>	<b>1</b>	<b>1</b>
<b>N/S</b>	N/S	Coil to suit - 115V	<b>N30020014</b>	-	<b>1</b>	<b>1</b>	<b>1</b>	<b>1</b>
<b>N/S</b>	N/S	Coil to suit - 220V	<b>N30020066</b>	-	<b>1</b>	<b>1</b>	<b>1</b>	<b>1</b>
<b>N/S</b>	N/S	NRVA20 valve c/w 3.0mm vent hole	<b>N30090073</b>	-	<b>1</b>	<b>1</b>	<b>1</b>	<b>1</b>



